

Type KVF/0

## Quick-Opening Valve for Liquid Media Electro-Pneumatic Operated

Edition: 01.19

Subject to change without notice

### APPLICATION AREA

- > Oil firing systems on steam boilers  
acc. to DIN EN12952/12953
- > Industrial thermoprocessing equipment  
acc. to DIN EN 746
- > Pipe systems for fluids and liquid media for all  
industrial sectors

### ADVANTAGE

- > Open/Closing time < 1 sec
- > High safety level through zero leakage
- > Heavy duty design for high operating cycles
- > High performance valve design for long service  
life



safe and reliable

Type KVF/0

# Quick-Opening Valve for Liquid Media Electro-Pneumatic Operated



DN 15-50 PN 40

## APPLICATION

- > Directly operated, normally open
- > Venting valve at double block and bleed unit for liquid media
- > Automatic opening valve in piping systems

## TECHNICAL DATA

- > Single-seated straight-through globe valve acc. to DIN/EN standard
- > Stem sealing acc. to TA-Luft, stainless steel bellow with additional lip seal and connection for tightness test
- > Exchangeable plug gasket
- > Maintenance-free guide bushing
- > Flow direction under valve plug
- > Piston actuator with integrated opening spring

## CERTIFICATES

- Certificate:**
- > TA-Luft  
DIN EN ISO 15848-1  
VDI 2440
  - > SIL2 / EN 61508

## OPERATING DATA

- Media:**
- > Fuel oil acc. to PED 2014/68/EU
  - > Other liquid media
- Operating pressure:** Max. 40 bar g
- Operating temperature:** -25 to 180 °C
- Ambient temperature:** -25 to 80 °C
- Control medium:** Compressed air at 4-8 bar g
- Air quality:** acc. to DIN ISO 8573-1
- Control voltage:** 230 V, 50 Hz, 24 V DC
- Power:** 10.6 VA / 6.8 W
- IP Protection Class:** IP 65
- Mounting position:** No restriction
- Mounting location:** Indoor/Outdoor

## REMARKS

Acc. to DIN EN12952/12953 it is advised to install strainer in front quick opening valve. (Kühme SF / SFY)

safe and reliable

Type KVF/0

# Quick-Opening Valve for Liquid Media Electro-Pneumatic Operated



DN 15-50 PN 40

## DIMENSIONS

DN	bar g	Ø	mm						kg
	Max. Operating pressure*		Actuator	L	D	H	H <sub>1</sub>	H <sub>2</sub>	
15	40	150	130	200	420	180	120	411	35
20	40	150	150	200	423	180	120	414	35
25	40	150	160	200	426	180	120	417	37
32	40	150	180	200	434	180	120	425	40
40	32	150	200	200	440	180	120	431	46
40	40	200	200	250	440	180	120	431	46
50	20	150	230	200	430	180	120	421	52
50	40	200	230	250	430	180	120	421	52

\* Max. Functional pressure with compressed air 4 bar g;  
Flange dimensions acc. to EN 1092-1/B1

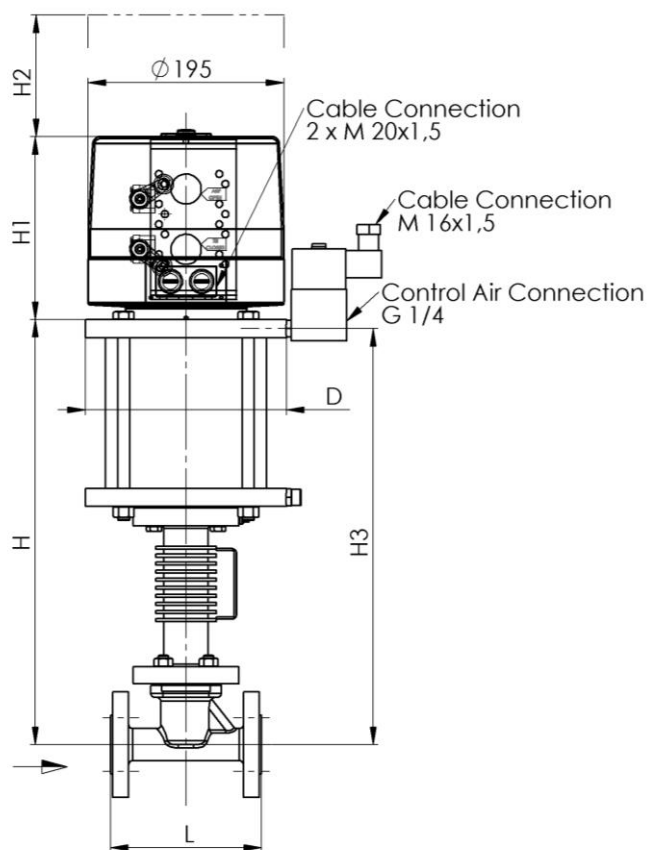
## PARAMETER

Nominal diameter DN	15	20	25	32	40	50
Max. Service pressure (PS) in bar g at max. 120 °C	40	40	40	40	40	40
Max. Service pressure (PS) in bar g at max. 180 °C	35	35	35	35	35	35
Max. Service pressure (PS) in bar g at < - 10 °C	30	30	30	30	30	30
k <sub>vs</sub> - value m <sup>3</sup> /h (max.) (P250GH)	3	5,3	8,3	13	21	37,2
k <sub>vs</sub> - value m <sup>3</sup> /h (max.) (GP240GH)	5,3	7,2	12	16	28,5	43
Opening time	< 1 Second					

## ACCESSORIES\*

QTY	Accessories
1	3/2-way solenoid valve, directly actuated, pressure 0 – 8 bar
2	Limit switch as mechanical cam switch or proximity switch
1	Protection cover, transparent, for limit switch and optical position indication

\* Other materials and accessories are available on request.



## MATERIALS\*

<b>Body:</b>	P250GH; GP240GH
<b>Valve seat:</b>	cladded with 1.4009
<b>Plug gasket:</b>	Elastomer
<b>Bellow:</b>	1.4541
<b>Stem:</b>	1.4541
<b>Actuator:</b>	Steel/Aluminium
<b>Sealing parts:</b>	Elastomer

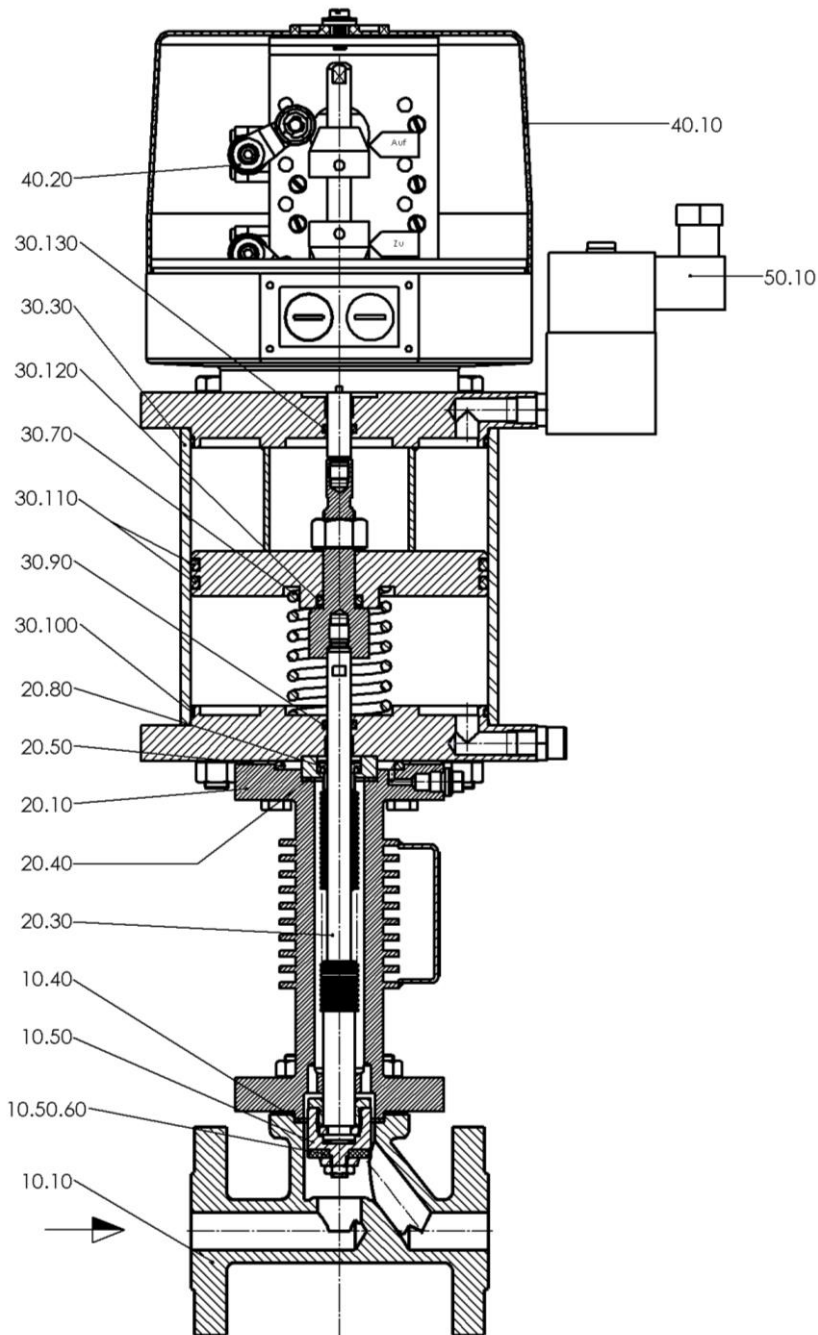
safe and reliable

Type KVF/0

# Quick-Opening Valve for Liquid Media Electro-Pneumatic Operated



DN 15-50 PN 40



	10.10	Body
*	10.40	Body gasket
	10.50	Plug
*	10.50.60	Plug gasket
	20.10	Bonnet
*	20.30	Stem with bellow
*	20.40	Gasket
*	20.50	O-Ring
*	20.80	Lip seal
	30.30	Piston tube
*	30.70	Compression spring
*	30.90	O-Ring
*	30.100	O-Ring
*	30.110	O-Ring
*	30.120	O-Ring
*	30.130	O-Ring
*	40.10	Protection cover
*	40.20	Limit switch
*	50.10	3/2-way solenoid valve

\* **Spares**