

Type KVII/F

## Quick-Closing Valve for Gaseous Media Electro-Pneumatic Operated

Edition: 05.18

Subject to change without notice

### APPLICATION AREA

- > Gas firing systems on steam boilers  
acc. to DIN EN12952/12953
- > Industrial thermoprocessing equipment  
acc. to DIN EN 746
- > Pipe systems for fluids and gaseous media  
for all industrial sectors

### ADVANTAGE

- > Closing time < 1 sec
- > High safety level through zero leakage
- > Heavy duty design for high operating cycles
- > High performance valve design for long service life



safe and reliable

Type KVII/F

# Quick-Closing Valve for Gaseous Media Electro-Pneumatic Operated



DN 2½"-12" ANSI 150 lbs

## APPLICATION

- > Automatic operated emergency shutdown device
- > In gas pipes in front of burner  
acc. to DIN EN12952/12953
- > Safety and control device for gas burner
- > Automatic shut-off valve in piping systems

## TECHNICAL DATA

- > Single-seated straight-through globe valve  
acc. to ANSI standard
- > Stem sealing acc. to TA-Luft,  
stainless steel bellow with additional lip seal and  
connection for tightness test
- > Exchangeable plug gasket
- > Maintenance-free guide bushing
- > Additional sealing force generated through primary  
pressure loaded onto the valve plug
- > Piston actuator with integrated closing spring

## CERTIFICATES

### EC-Type examination (Modul B)

acc. to directive 2014/68/EU

### EC- Type examination certificate

with product-identnumber

acc. to gas appliance regulation EU/2016/426

based on:

DIN EN 13611 / DIN EN 161 / DIN EN 16678

- Certificate:**
- > TA-Luft  
DIN EN ISO 15848-1  
VDI 2440
  - > SIL2 / EN 61508
  - > Fire-safe  
DIN EN ISO 10497 / API 607

## OPERATING DATA

- Media:**
- > Gaseous fuels  
acc. to PED 2014/68/EU
  - > Fuels acc. to G260;  
gas group 1., 2. and 3
  - > Other gaseous media
- Operating pressure:** Max. 12 bar g
- Operating temperature:** -29 to 180 °C
- Ambient temperature:** -29 to 80 °C
- Control medium:** Compressed air at 4-8 bar g
- Air quality:** acc. to DIN ISO 8573-1
- Control voltage:** 230 V, 50 Hz, 24 V DC
- Power:** 10.6 VA / 6.8 W
- IP Protection Class:** IP 65
- Mounting position:** no restriction
- Mounting location:** Indoor/Outdoor

## OPTION

- > Quick-closing valve with integrated control  
characteristic for soft opening
- > Combination with electro-pneumatic positioner for  
selective flow control

## REMARKS

Acc. to DIN EN12952/12953 it is advised to install strainer  
in front of shut off valve. (Kühme SF / SFY)

safe and reliable

Type KVII/F

# Quick-Closing Valve for Gaseous Media Electro-Pneumatic Operated

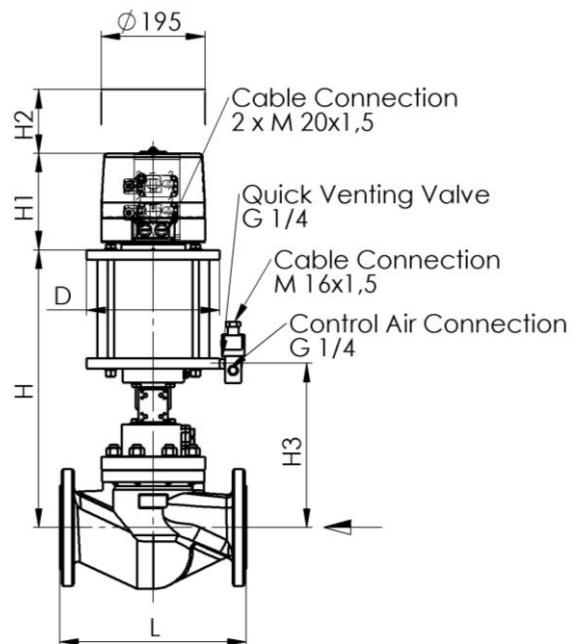


DN 2½"-12" ANSI 150 lbs

## DIMENSIONS

ANSI	bar g	Ø	mm						kg
	max. Operating pressure*		Actuator	L	D	H	H <sub>1</sub>	H <sub>2</sub>	
2½	8,0	150	216	200	520	180	120	307	46
2½	12,0	200	216	250	520	180	120	307	46
3	5,0	150	241	200	525	180	120	310	56
3	12,0	200	241	250	525	180	120	310	56
4	3,0	150	292	200	525	180	120	315	68
4	12,0	200	292	250	525	180	120	315	68
6	1,0	150	406	200	660	250	180	400	95
6	3,5	200	406	250	660	250	180	400	95
6	6,0	250	406	315	660	250	180	400	95
8	1,5	200	495	250	745	250	180	420	158
8	3,5	250	495	315	745	250	180	420	158
8	6	300	495	370	745	250	180	420	158
10	2,0	250	622	315	870	250	180	535	266
10	3,0	300	622	370	870	250	180	535	266
12	1,25	250	698	315	890	250	180	555	370
12	2	300	698	370	890	250	180	555	370

\* Max. Functional pressure with compressed air 4 bar g;  
Flange dimensions acc. to ASME B16.5



## PARAMETER

Nominal diameter DN	2½	3	4	6	8	10	12
Max. Service pressure (PS) in bar g	12	12	12	6	6	3	2
Rating ANSI Class	150	150	150	150	150	150	150
k <sub>vs</sub> - value m³/h (max.)	72	108	170	376	655	1030	1460
Closing time	< 1 Second						

## ACCESSORIES\*

QTY	Accessories
1	Quick venting valve
1	3/2-way solenoid valve, directly actuated, pressure 0 to 8 bar
2	Limit switch as mechanical cam switch or proximity switch
1	Protection cover, transparent, for limit switch and optical position indication

## MATERIALS\*

<b>Body:</b>	A 216 WCB
<b>Valve seat:</b>	cladded with 1.4551
<b>Plug gasket:</b>	Elastomer
<b>Bellow:</b>	1.4541
<b>Stem:</b>	1.4021
<b>Actuator:</b>	Steel/Aluminium
<b>Sealing Parts:</b>	Elastomer

\* Other materials and accessories are available on request.

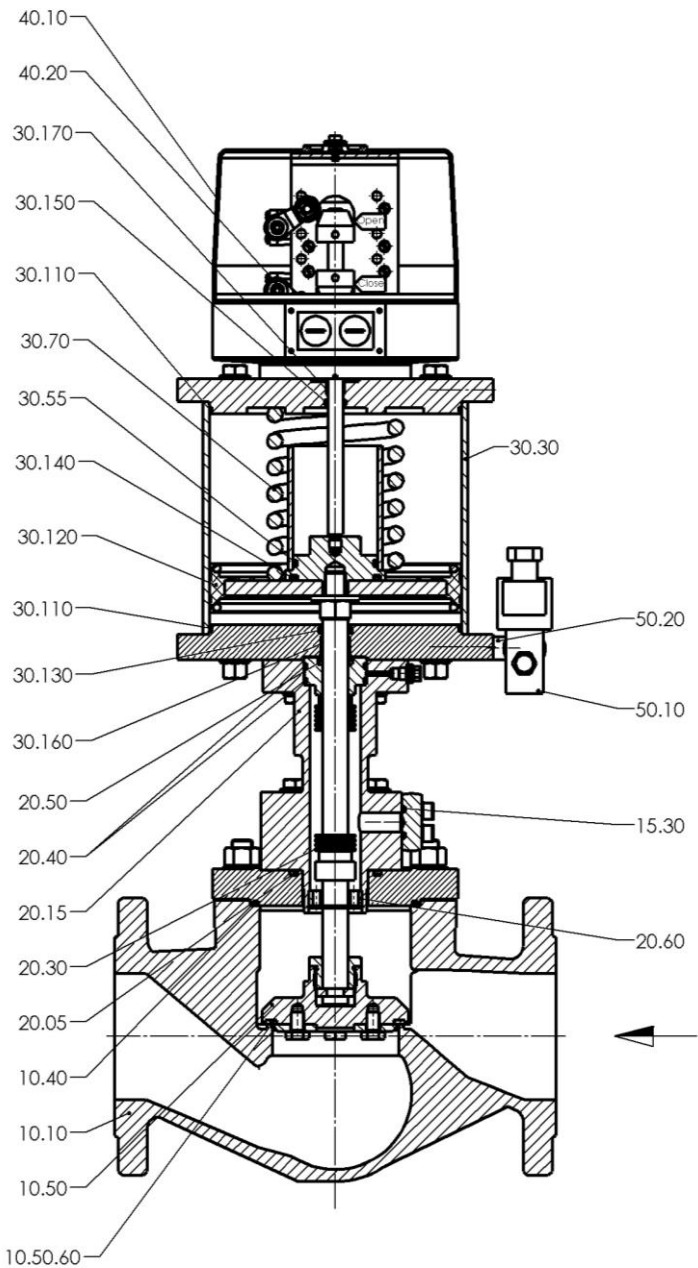
safe and reliable

Type KVII/F

# Quick-Closing Valve for Gaseous Media Electro-Pneumatic Operated



DN 2½"-12" ANSI 150 lbs



	10.10	Body
*	10.40	O-Ring
	10.50	Plug
*	10.50.60	Plug gasket
*	15.30	O-Ring
*	20.05	O-Ring
	20.15	Bonnet
*	20.30	Stem with bellow
*	20.40	O-Ring
*	20.50	Lip seal
	20.60	Guide bushing
	30.30	Actuator body
*	30.55	O-Ring
*	30.70	Compression spring
*	30.110	O-Ring
*	30.120	T-DUO Sleeve
*	30.130	O-Ring
*	30.140	O-Ring
*	30.150	O-Ring
	30.160	DU-Bushing
	30.170	DU-Bushing
*	40.10	Protection cover
*	40.20	Limit switch
*	50.10	3/2-way solenoid valve
*	50.20	Quick Venting Valve
*		<b>Spares</b>